



OMNI GEAR[®]

Right Angle Gear Drives

Creating Value for our Customers
www.OmniGear.com

Model Selection

Feature	Description	Code	Sample
Gear Ratio	6:5 Reducing	65	G3056
	1:1	11	
	5:6 Increasing	56	
Down Thrust	Standard	S	G3056H
	Heavy	H	
HP Rating	40	40	G3056H80
	60	60	
	80	80	
	100	100	
Clutch Sizes*	1"	B0	G3056H80B7
	1 3/16"	B3	
	1 1/4"	B4	
	1 7/16"	B7	
	1 1/2"	B8	
Gear Ratio	3:2 Reducing	32	G5056
	4:3 Reducing	43	
	5:4 Reducing	54	
	6:5 Reducing	65	
	11:10 Reducing	10	
	1:1	11	
	10:11 Increasing	01	
	5:6 Increasing	56	
	4:5 Increasing	45	
	3:4 Increasing	34	
2:3 Increasing	23		
Down Thrust	Standard	S	G5056H
	Heavy	H	
HP Rating	60	60	G5056H80
	80	80	
	100	100	
	125	125	
	150	150	
Clutch Sizes*	1"	B0	G5056H80B7
	1 3/16"	B3	
	1 1/4"	B4	
	1 7/16"	B7	
	1 1/2"	B8	
Gear Ratio	3:2 Reducing	32	G10056
	4:3 Reducing	43	
	5:4 Reducing	54	
	6:5 Reducing	65	
	11:10 Reducing	10	
	1:1	11	
	10:11 Increasing	01	
	5:6 Increasing	56	
	4:5 Increasing	45	
	3:4 Increasing	34	
2:3 Increasing	23		
Down Thrust	Standard	S	G10056H
	Heavy	H	
HP Rating	150	150	G10056H200
	200	200	
	250	250	
	300	300	
Clutch Sizes*	1 1/2"	B8	G10056H200B11
	1 11/16"	B11	
	1 15/16"	B15	

G-30 GEAR CASE

HP Rating	Vertical Shaft RPM	Standard Down Thrust			Heavy Down Thrust		
		HP	lbs.	kgs.	lbs.	kgs.	
40	1160	30	4600	2091	6900	3136	
	1460	36	4240	1927	6360	2891	
	1760	40	4000	1818	6000	2727	
	2200	44	3720	1691	5580	2536	
60	1160	44	5175	2352	7475	3398	
	1460	53	4770	2168	6890	3132	
	1760	60	4500	2045	6500	2954	
	2200	67	4185	1902	6045	2748	
80	1160	59	5750	2614	8050	3659	
	1460	71	5300	2409	7420	3373	
	1760	80	5000	2273	7000	3182	
	2200	89	4650	2114	6510	2959	
100	1160	74	8625	3920			
	1460	89	7950	3614	N/A		
	1760	100	7500	3409			
	2200	111	6975	3170			
60	1160	44	6900	3136	9200	4182	
	1460	53	6360	2891	8480	3854	
	1760	60	6000	2727	8000	3636	
	2200	67	5580	2536	7440	3382	
80	1160	59	8050	3659	10350	4704	
	1460	71	7420	3373	9540	4336	
	1760	80	7000	3182	9000	4090	
	2200	89	6510	2959	8370	3804	
100	1160	74	9775	4443	11500	5227	
	1460	89	9010	4095	10600	4818	
	1760	100	8500	3864	10000	4545	
	2200	111	7905	3593	9300	4227	
125	1160	93	10350	4704	12650	5750	
	1460	111	9540	4336	11660	5300	
	1760	125	9000	4090	11000	5000	
150	2200	139	8370	3804	10230	4650	
	1160	111	10350	4704	11500	5227	
	1460	134	9450	4336	10600	4818	
	1760	150	8000	4090	10000	4545	
150	2200	167	8370	3804	12090	5495	
	1160	111	9200	4182	11500	5227	
	1460	134	8480	3854	10600	4818	
200	1760	150	8000	3636	10000	4545	
	1160	148	11500	5227	14950	6795	
	1460	178	10600	4818	13780	6264	
250	1760	200	10000	4545	13000	5909	
	1160	185	13800	6273	18400	8364	
	1460	223	12720	5782	16960	7709	
300	1760	250	11000	5000	14000	6364	
	1160	222	18400	8364	23000	10454	
	1460	267	16960	7709	21200	9636	
		1760	300	16000	7273	20000	9091

G-50 GEAR CASE

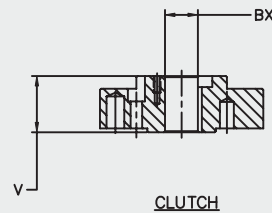
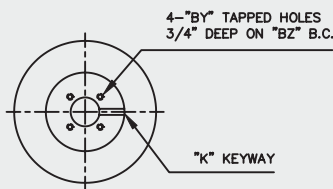
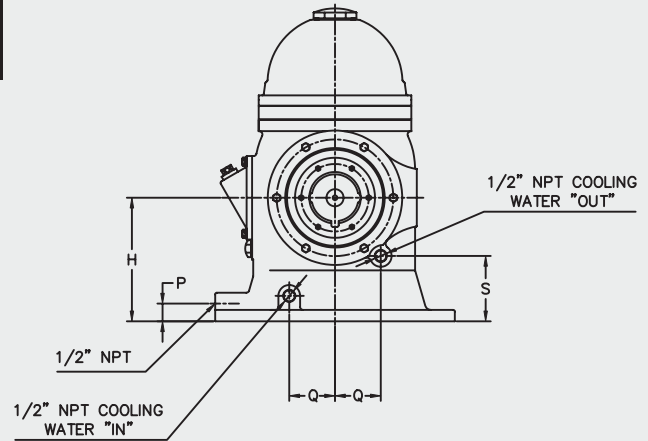
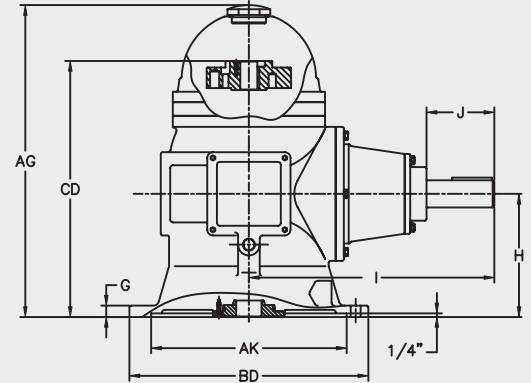
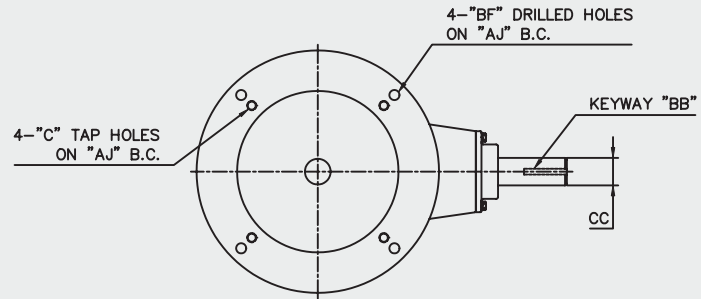
G-100 GEAR CASE

* Other clutch sizes available as special order



Dimensions of Standard Gear Drive

Gear Case	G-30		G-50		G-100	
	in	mm	in	mm	in	mm
AG	21"	533	27"	686	37"	940
AJ	14.750"	375	14.750"	375	18.250"	464
AK	13.501"	343	13.501"	343	13.501"	343
BB	3/8" x 3/16"	10 x 5	5/8" x 5/16"	16 x 3	3/4" x 3/8"	19 x 10
BD	16.500"	419	16.500"	419	20.000"	508
BF	0.688"	17	0.688"	17	0.688"	17
BX max	1"-1/2"	25-13	1"-1/2"	25-13	1"-15/16"	49
BX min	3/4"	19	3/4"	19	1-3/16"	30
C	-	-	-	-	5/8"-11	16-279
CC	1.874"	48	2.249"	57	2.937"	75
CD	17.875"	454	22.625"	575	31.500"	800
G	0.813"	21	0.875"	22	0.875"	22
H	8.500"	216	11.500"	292	13.620"	346
I	17.000"	432	18.000"	457	21.250"	540
J	4.750"	121	5.188"	132	5.875"	149
P	1.250"	32	1.500"	38	2.500"	63
Q	3.125"	79	3.750"	95	4.500"	114
S	4.500"	114	4.625"	117	5.875"	149
V	2.000"	51	2.000"	51	2.500"	63
NET WT	255 lbs	115.67 kg	350 lbs	13.78 kg	750 lbs	29.18 kg
OIL QTS	6		7		13	



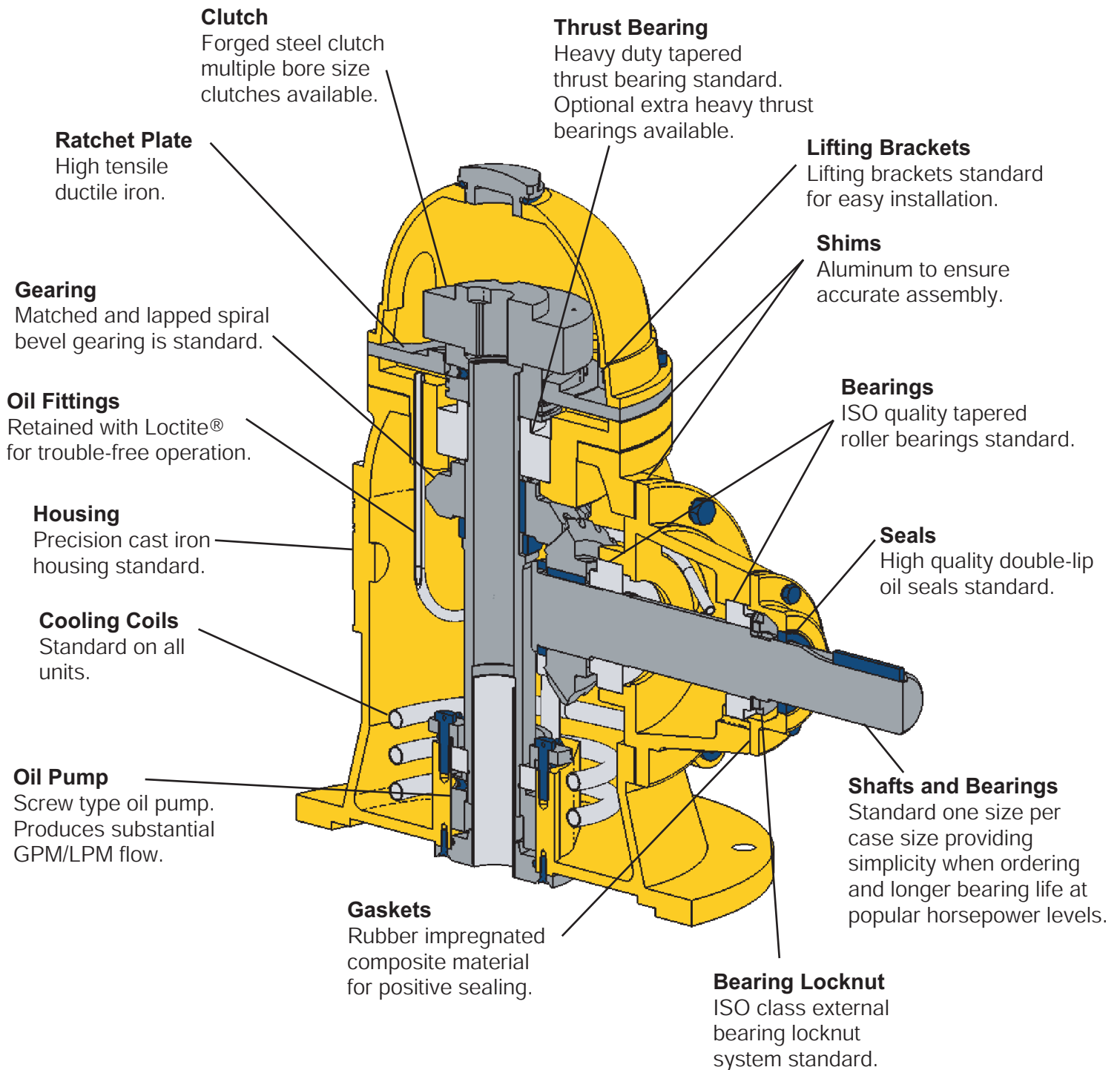
CLUTCH

in	BX'		X'		BY'		BZ'	
	in	mm	in	mm	in	mm	in	mm
0.750"	19	3/16" x 3/32"	4.7 x 2.4	10"-32"	245-813	1.375"	35	
0.875"	22	1/4" x 1/8"	6.3 x 3.2	10"-32"	245-813	1.375"	35	
1.000"	25	1/4" x 1/8"	6.3 x 3.2	10"-32"	245-813	1.375"	35	
1.063"	27	1/4" x 1/8"	6.3 x 3.2	10"-32"	245-813	1.375"	35	
1.188"	30	1/4" x 1/8"	6.3 x 3.2	1/4"-20"	6.3-508	1.750"	44	
1.250"	32	1/4" x 1/8"	6.3 x 3.2	1/4"-20"	6.3-508	1.750"	44	
1.438"	37	3/8" x 3/16"	9.5 x 4.8	1/4"-20"	6.3-508	2.125"	53	
1.500"	38	3/8" x 3/16"	9.5 x 4.8	1/4"-20"	6.3-508	2.125"	53	
1.688"	43	3/8" x 3/16"	9.5 x 4.8	1/4"-20"	6.3-508	2.500"	64	
1.750"	44	3/8" x 3/16"	9.5 x 4.8	1/4"-20"	6.3-508	2.500"	64	
1.938"	49	1/2" x 1/4"	12.7 x 6.4	1/4"-20"	6.3-508	2.500"	64	
2.000"	51	1/2" x 1/4"	12.7 x 6.4	1/4"-20"	6.3-508	2.500"	64	
2.188"	56	1/2" x 1/4"	12.7 x 6.4	3/8"-16"	9.5-406	3.250"	83	

Vertical Shaft RPM	Percent Horsepower	Percent Thrust Capacity
	@1760 RPM	
430	38	160
580	46	145
690	53	137
720	54	135
870	61	126
960	65	122
1160	74	115
1460	89	106
1760	100	100
2000	105	96
2200	111	93

To obtain horsepower and thrust bearing ratings for speeds listed multiply the horsepower and the thrust bearing rating at 1760 rpm by percentage listed above.





OMNI GEAR®



E-mail: Sales@OmniGear.com Web: www.OmniGear.com
©2003 Omni Gear®, All rights reserved



Dear Valued Customer:

Standard Terms and Conditions of Sale

The following letter serves to define Omni Gear's Warranty policy effective January 1, 2006. Omni Gear warrants its Products to be free defects in materials and workmanship when installed and maintained consistent with Omni Gear's specifications. Unless otherwise specified below, each Product is warranted for a period of 12 months from the date of retail delivery or 18 months from the date of shipment from Omni Gear's facility, whichever shall first occur. All replacement or spare parts supplied by Omni Gear are warranted for a period of 3 months from the date of shipment from Omni Gear's Facility.

Should any part of an Omni Gear Product be found, under normal use and service, during the warranty period, to be defective, Omni Gear shall repair or replace, at its sole option, said part FOB Omni Gear's facility, Houston, Texas, provided the defective gear drive, in whole, is returned to Omni Gear's facility, charges prepaid, accompanied by a Return Goods Authorization Number ("RGA") and defect report detailing the claimed defect, and provided inspection of the original Product establishes the claimed defect to the satisfaction of Omni Gear. In the event a warranty claim is denied, an Omni Gear Customer Service representative shall contact the customer and advise of the cost to repair the Product not covered under warranty. If the customer requests the Product be repaired, the repaired Product shall carry a Manufacturer's Remanufactured Warranty of 6 months from the date of remanufacture.

Warranty Disclaimer and Limitations of Liability

Omni Gear makes no other warranties. No warranty of merchantability or fitness for a particular purpose is implied. Omni Gear's liability under this warranty is limited to the conditions stated herein. OMNI GEAR SHALL NOT IN ANY EVENT BE LIABLE FOR ANY CONSEQUENTIAL OR INCIDENTAL DAMAGE including, but not limited to expenses, attorney fees, loss of income or profits due to delay or defective material or workmanship and no allowance will be made for repairs, replacements, transportation or freight charges, or alterations UNLESS authorized in writing by

Omni Gear. Omni Gear's warranty is subject to change without notice. This warranty shall not apply to any Product upon which repairs or alterations have been made, improper lubrication including type and frequency, excessive shock loading, improper application or for misused, neglected or incorrectly installed Product. This warranty shall not apply in the event proper gearbox lubrication and service is not maintained.

All gearbox Product lubrication must be flushed and refilled after the first 100 hours of service, and then every 1000 hours thereafter. This warranty shall not apply to seals in the event they have been subjected to heat in excess of 200 degrees, paint, solvents or other chemicals in the assembly or painting processes. Any Omni Gear Product that remains unused for a period of 6 consecutive months during the warranty period shall not be warranted for leakage due to seal aging. The warranty for bearings shall be limited to the warranty provided by the bearing manufacturer. No Product will be eligible for warranty if rust or corrosion has started on internal surfaces.

The terms and conditions set forth herein, together with any amendments, modifications and any different terms or conditions expressly accepted by Omni Gear in writing, shall constitute the entire Agreement concerning the Product sold, and there are no oral or other representations or agreements which pertain thereto. This Agreement shall be governed in all respects by the law of the State of Texas. Legal proceedings arising out of the terms of Omni Gear's warranty must be commenced within one (1) year of the accrual of the cause of action or be forever barred.

Note: The information shown online and in all catalogs is for general purposes only. Not to be used for manufacture, design or application review. OMNI GEAR reserves the right to update or change its products; therefore the information shown is subject to change. Bearing curves are supplied for design reference purposes only. They are intended to help illustrate the importance of radial load position relative to the gearbox. For detailed analysis or application review, contact OMNI GEAR engineering.

Exceptions

Exceptions to Omni Gear's stated Warranty Policy must be in writing, and made a part of this Limited Warranty. Customer Product Group Limited Warranty Effective Date