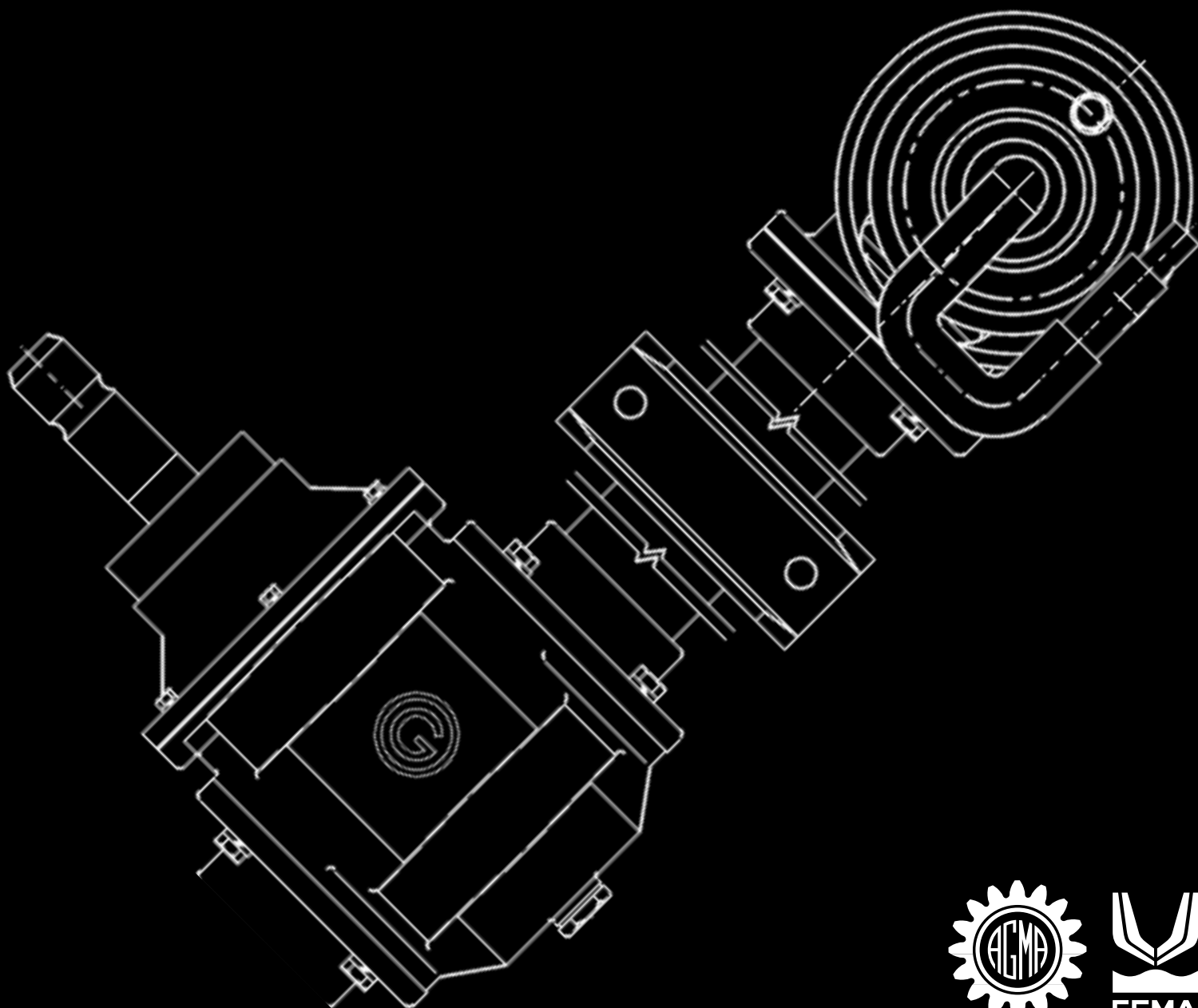




OMNI GEAR®

TRACTOR POWERED
IMPLEMENT GEARDRIVES



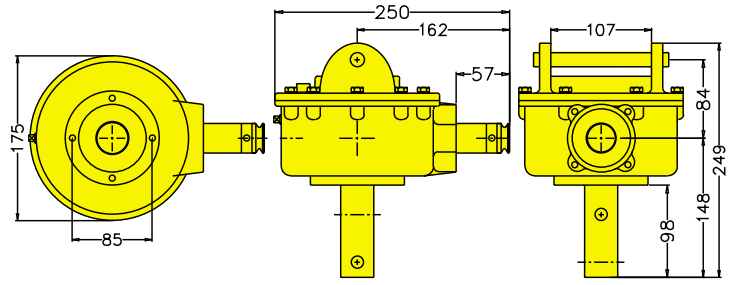
PHD-15 Series

Power: 15 hp
11 kW

Post Hole Digger Drives

Specifications

Torque: 1750 lb.-in.
198 Nm.
Ratios: 3:1
Gears: Straight Bevel
Seals: Triple Lip Spring Loaded
Bearings: Tapered, Ball, Needle
Oil Cap: 25 oz. (0.7 L)
Weight: 26 lbs. (11.8 kg)

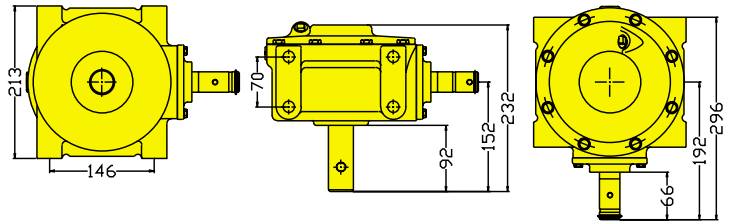


PHD-25 Series

Power: 44 hp
33 kW

Specifications

Torque: 5133 lb.-in.
580 Nm.
Ratios: 2.92:1
Gears: Straight Bevel
Seals: Triple Lip Spring Loaded
Bearings: Tapered, Ball, Needle
Oil Cap: 37 oz. (1.1 L)
Weight: 43 lbs. (19.5 kg)

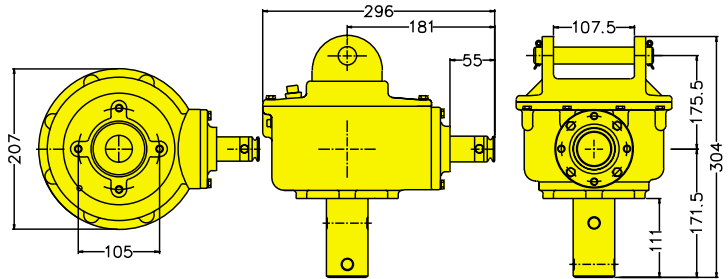


PHD-26 Series

Power: 44 hp
33 kW

Specifications

Torque: 5133 lb.-in.
580 Nm.
Ratios: 2.92:1
Gears: Straight Bevel
Seals: Triple Lip Spring Loaded
Bearings: Tapered, Ball, Needle
Oil Cap: 38 oz. (1.1 L)
Weight: 48 lbs. (21.8 kg)

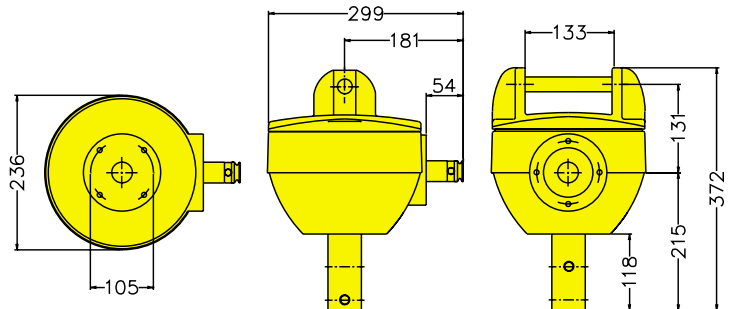


PHD-50 Series

Power: 57 hp
43 kW

Specifications

Torque: 6650 lb.-in.
751 Nm.
Ratios: 3.18:1
Gears: Straight Bevel
Seals: Triple Lip Spring Loaded
Bearings: Tapered, Ball, Needle
Oil Cap: 57 oz. (1.7 L)
Weight: 60 lbs. (27.2 kg)



Ratios: Other ratios available on request

Power: Hp & Torque based on AGMA formula for continuous duty plus a service or load class factor.

Shafting: Various dimensional, metallurgical, and heat-treat options available.

Bearings: Geardrives available with various bearing life options.

Lubrication: Drives available with various lubes depending on operating characteristics.

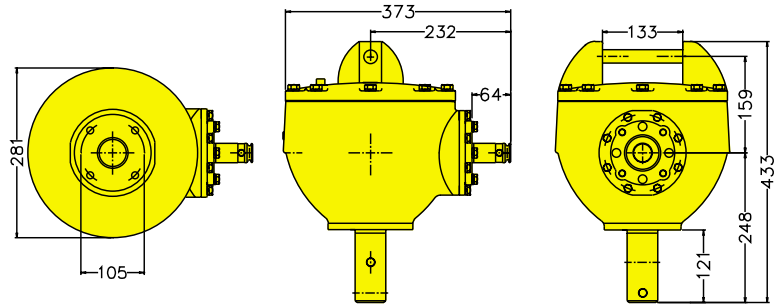
PHD-75 Series

Power: 88 hp
66 kW

Post Hole Digger Drives

Specifications

Torque: 10,267 lb.-in.
1159 Nm.
Ratios: 4:1
Gears: Straight Bevel
Seals: Triple Lip Spring Loaded
Bearings: Tapered Roller
Oil Cap: 138 oz. (4.1 L)
Weight: 110 lbs. (49.9 kg)



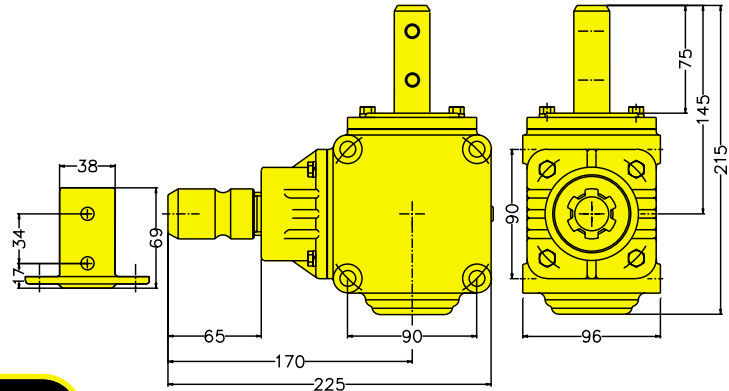
FSD-10 Series

Power: 12 hp
9 kW

Fertilizer Spreader Drives

Specifications

Torque: 1400 lb.-in.
158 Nm.
Ratios: 1:1
Gears: Straight Bevel
Seals: Triple Lip Spring Loaded
Bearings: Deep Groove Ball
Oil Cap: 8 oz. (0.2 L)
Weight: 14 lbs. (6.4 kg)

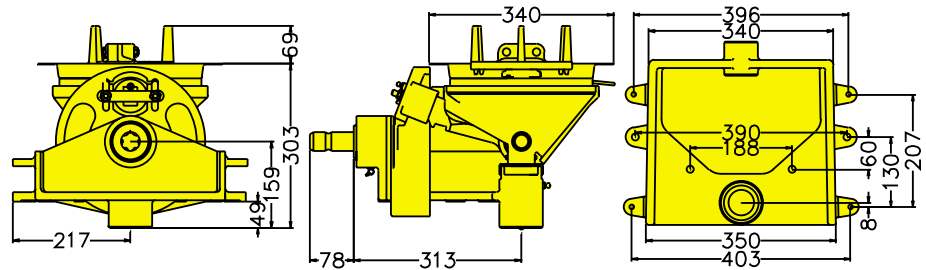


FSD-15 Series

Power: 50 hp
37 kW

Specifications

Torque: 5833 lb.-in.
659 Nm.
Seals: Triple Lip Spring Loaded
Bearings: Deep Groove Ball
Oil Cap: 8 oz. (0.2 L)
Weight: 110 lbs. (49.9 kg)

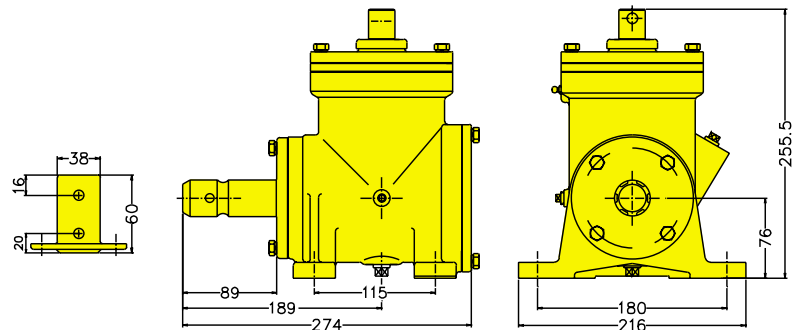


FSD-20 Series

Power: 32 hp
24 kW

Specifications

Torque: 3733 lb.-in.
421 Nm.
Ratios: 1:1.06
Gears: Straight Bevel
Seals: Triple Lip Spring Loaded
Bearings: Deep Groove Ball
Oil Cap: 16 oz. (0.5 L)
Weight: 44 lbs. (20.0 kg)



Ratios: Other ratios available on request

Power: Hp & Torque based on AGMA formula for continuous duty plus a service or load class factor.

Shafting: Various dimensional, metallurgical, and heat-treat options available.

Bearings: Geardrives available with various bearing life options.

Lubrication: Drives available with various lubes depending on operating characteristics.

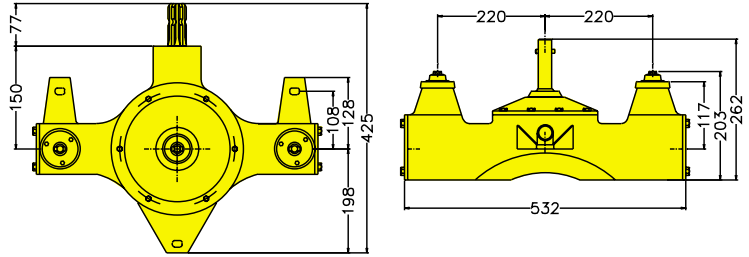
FSD-40 Series

Power: 24 hp
18 kW

Fertilizer Spreader Drives

Specifications

Torque: 2800 lb.-in.
316 Nm.
Ratios: 3:1, 1.65:1
Gears: Straight Bevel
Seals: Triple Lip Spring Loaded
Bearings: Deep Groove Ball
Oil Cap: 45 oz. (1.3 L)
Weight: 82 lbs. (37.2 kg)



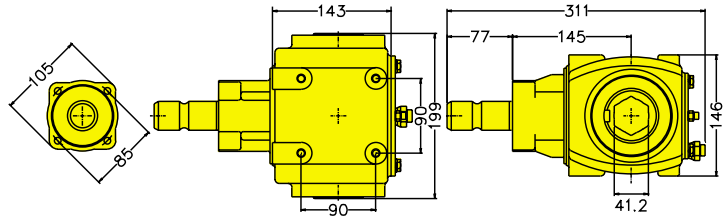
RTD-10 Series

Power: 15 - 38 hp
11 - 28 kW

Rotary Tiller Drives

Specifications

Torque: 1,750 - 4,433 lb.-in.
198 - 501 Nm.
Ratios: 1.92:1, 1.46:1, 1:1
Gears: Straight Bevel
Seals: Triple Lip Spring Loaded
Bearings: Tapered Roller / Deep Groove Ball
Oil Cap: 26 oz. (0.8 L)
Weight: 35 lbs. (15.9 kg)

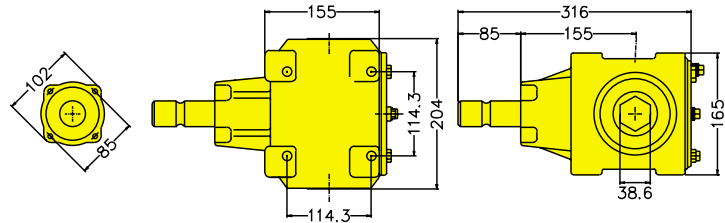


RTD-15 Series

Power: 18 - 50 hp
13 - 37 kW

Specifications

Torque: 2,100 - 5,833 lb.-in.
237 - 659 Nm.
Ratios: 1.92:1, 1.46:1, 1:1
Gears: Straight Bevel
Seals: Triple Lip Spring Loaded
Bearings: Tapered Roller / Deep Groove Ball
Oil Cap: 38 oz. (1.1 L)
Weight: 41 lbs. (18.6 kg)

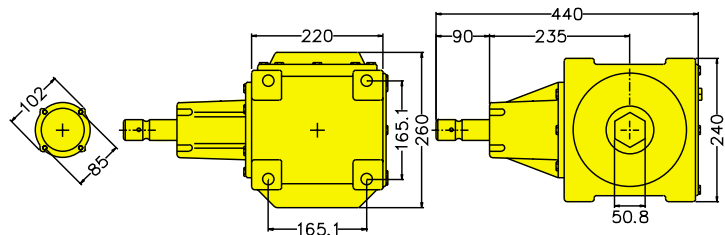


RTD-20 Series

Power: 38 - 71 hp
28 - 53 kW

Specifications

Torque: 4,433 - 8,283 lb.-in.
501 - 935 Nm.
Ratios: 1.87:1, 1.47:1, 1:1
Gears: Straight Bevel
Seals: Triple Lip Spring Loaded
Bearings: Tapered Roller / Deep Groove Ball
Oil Cap: 46 oz. (1.4 L)
Weight: 55 lbs. (25.0 kg)



Ratios: Other ratios available on request

Power: Hp & Torque based on AGMA formula for continuous duty plus a service or load class factor.

Shafting: Various dimensional, metallurgical, and heat-treat options available.

Bearings: Geardrives available with various bearing life options.

Lubrication: Drives available with various lubes depending on operating characteristics.

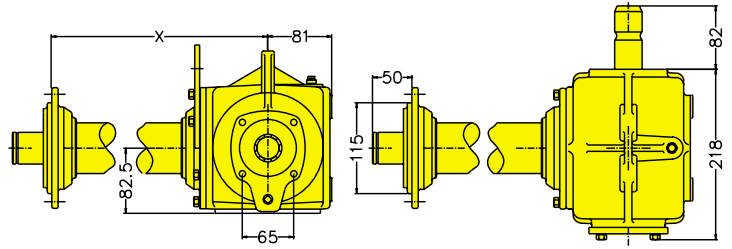
RTD-30 Series

Power: 15 - 34 hp
11 - 25 kW

Rotary Tiller Drives

Specifications

Torque:	1,750 - 3,967 lb.-in. 198 - 448 Nm.
Ratios:	1.85:1, 1.46:1
Gears:	Straight Bevel
Seals:	Triple Lip Spring Loaded
Bearings:	Tapered Roller / Deep Groove Ball
Oil Cap:	48 oz. (1.4 L)
Weight:	62-84lbs. (28-38 kg)
Length:	X = 400 - 900mm

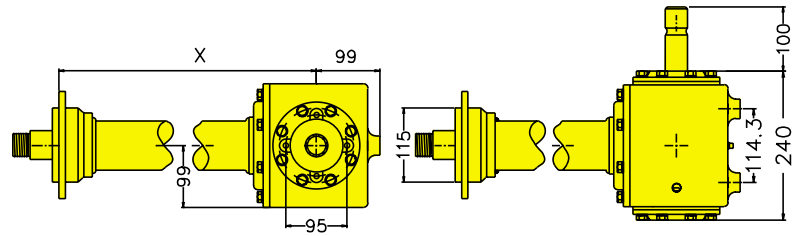


RTD-40 Series

Power: 33 - 57 hp
25 - 43 kW

Specifications

Torque:	3,850 - 6,650 lb.-in. 435 - 751 Nm.
Ratios:	1.92:1, 1.46:1
Gears:	Straight Bevel
Seals:	Triple Lip Spring Loaded
Bearings:	Tapered Roller / Deep Groove Ball
Oil Cap:	50 oz. (1.5 L)
Weight:	92-106 lbs. (42-48 kg)
Length:	X = 600 - 900mm

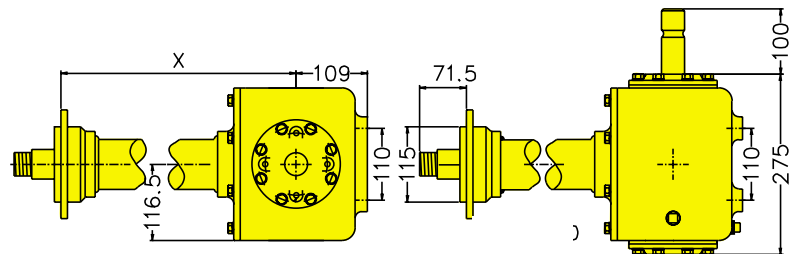


RTD-50 Series

Power: 57 - 83 hp
43 - 62 kW

Specifications

Torque:	6,650 - 9,683 lb.-in. 751 - 1,093 Nm.
Ratios:	1.86:1, 1.47:1
Gears:	Straight Bevel
Seals:	Triple Lip Spring Loaded
Bearings:	Tapered Roller / Deep Groove Ball
Oil Cap:	82 oz. (2.4 L)
Weight:	117-131 lbs. (53-60 kg)
Length:	X = 700 - 1,000mm

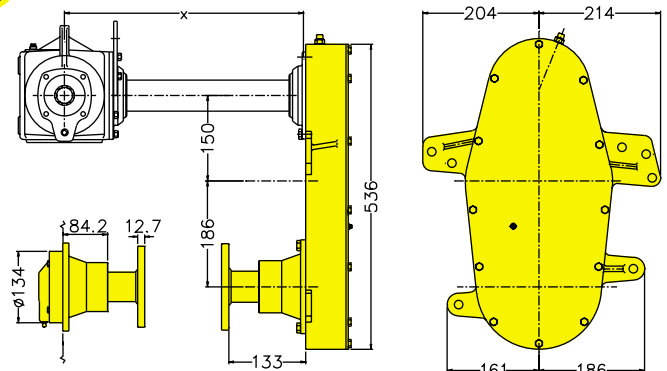


RTS-50 Series

Power: 39 - 76 hp
29 - 57 kW

Specifications

Torque:	6,557 - 8,867 lb.-in. 740 - 1,001 Nm.
Ratios:	1.75:1
Gears:	Spur
Seals:	Triple Lip Spring Loaded
Bearings:	Tapered Roller / Deep Groove Ball
Oil Cap:	63 oz. (1.9 L)
Weight:	96 lbs. (43.6 kg)



Ratios: Other ratios available on request

Power: Hp & Torque based on AGMA formula for continuous duty plus a service or load class factor.

Shafting: Various dimensional, metallurgical, and heat-treat options available.

Bearings: Geardrives available with various bearing life options.

Lubrication: Drives available with various lubes depending on operating characteristics.

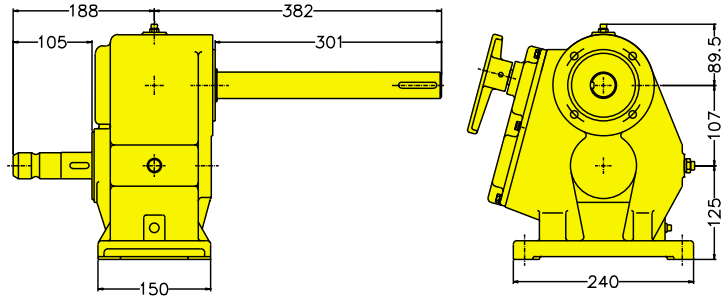
OS-20 Series

Power: 48 hp
36 kW

Orchard Sprayer Drives

Specifications

Torque: 5600 lb.-in.
632 Nm.
Ratios: 1:5.0, 1:5.5
Gears: Helical
Seals: Double Lip Spring Loaded
Bearings: Deep Groove Ball
Oil Cap: 58 oz. (1.7 L)
Weight: 70 lbs. (31.8 kg)

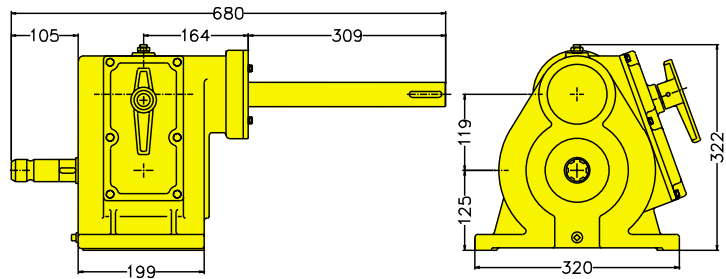


OS-40 Series

Power: 73 hp
54 kW

Specifications

Torque: 8517 lb.-in.
962 Nm.
Ratios: 1:4.0, 1:4.4
Gears: Helical
Seals: Double Lip Spring Loaded
Bearings: Deep Groove Ball
Oil Cap: 101 oz. (3.0 L)
Weight: 114 lbs. (51.8 kg)



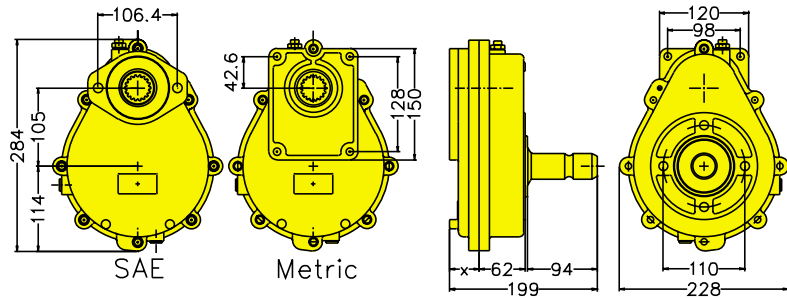
HDY-20 Series

Power: 35 - 75 hp
26 - 56 kW

Pump Drives

Specifications

Torque: 4,083 - 8,750 lb.-in.
461 - 988 Nm.
Ratios: 1:2.18, 1:3.75
Gears: Helical
Seals: Double Lip Spring Loaded
Bearings: Deep Groove Ball
Oil Cap: 15 oz. (0.4 L)
Weight: 34 lbs. (15.4 kg)

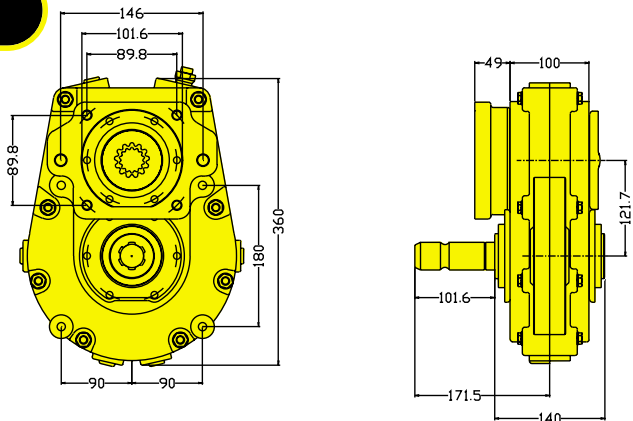


HDY-41 Series

Power: 68 - 94 hp
50 - 70 kW

Specifications

Torque: 7,875 - 10,967 lb.-in.
889 - 1,238 Nm.
Ratios: 1:2, 1:3.29, 1:4
Flanges: SAE 'B', 2 or 4 Bolt
SAE 'C', 2 or 4 Bolt
Gears: Helical
Seals: Double Lip Spring Loaded
Bearings: Tapered Roller
Oil Cap: 28 oz. (0.8 L)
Weight: 74 lbs. (33.6 kg)



Ratios: Other ratios available on request
Power: Hp & Torque based on AGMA formula for continuous duty plus a service or load class factor.
Shafting: Various dimensional, metallurgical, and heat-treat options available.
Bearings: Geardrives available with various bearing life options.
Lubrication: Drives available with various lubes depending on operating characteristics.

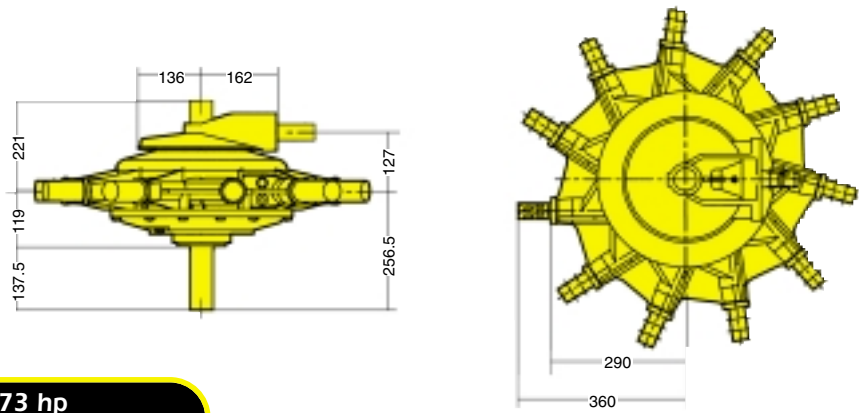
HT-50 Series

Power: 15 hp
11 kW

Hay Tedder / Rake Drives

Specifications

Torque:	1750 lb.-in. 198 Nm.
Ratios:	7.2:1
Gears:	Straight Bevel
Seals:	Double Lip Spring Loaded
Bearings:	Deep Groove Ball
Oil Cap:	194 oz. (5.7 L)
Weight:	220 lbs. (99.9 kg)



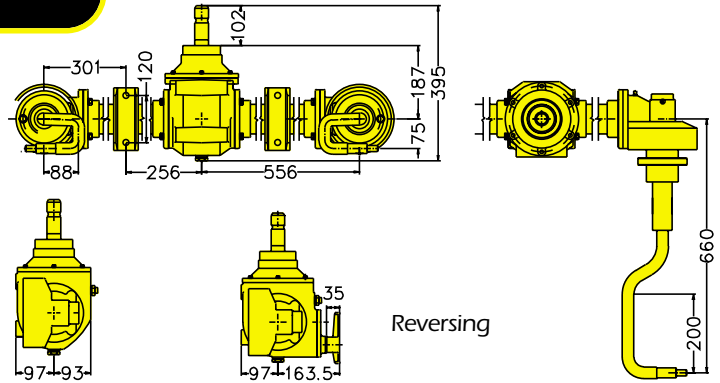
HT-75 Series

Power: 73 hp
54 kW

Specifications

Torque:	8517 lb.-in. 962 Nm.
Ratios:	3.06:1
Gears:	Straight Bevel
Seals:	Double Lip Spring Loaded
Bearings:	Deep Groove Ball
Oil Cap:	26 oz. (0.8 L)
Weight:	210 lbs. (95.3 kg)

Standard



Reversing

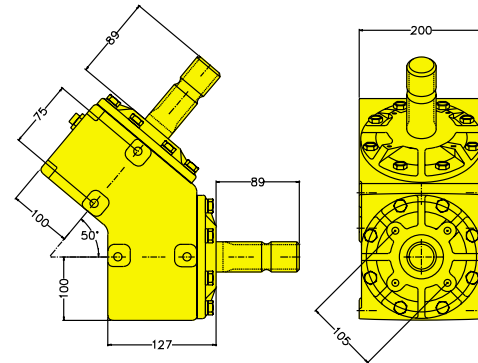
GB-50

Power: 62 hp
46 kW

Grain Cart Drives

Specifications

Torque:	7233 lb.-in. 817 Nm.
Ratios:	1.61:1, 1.47:1, 1:1.47, 1:1.61
Gears:	Straight Bevel
Seals:	Triple Lip Spring Loaded
Bearings:	Tapered Roller
Oil Cap:	30 oz. (0.9 L)
Weight:	68 lbs. (30.9 kg)



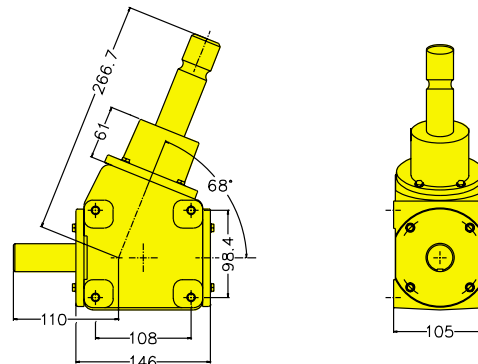
268 Series

Power: 24 hp ; 125 hp
18 kW ; 93 kW

Grain Auger Drives

Specifications

Torque:	2800 lb.-in. ; 14,583lb.-in. 316 Nm. ; 1646 Nm.
Ratios:	1:1
Gears:	Straight Bevel
Seals:	Triple Lip Spring Loaded
Bearings:	Tapered Roller
Oil Cap:	15 oz. (0.4 L)
Weight:	25 lbs. (11.4 kg)



Ratios: Other ratios available on request

Power: Hp & Torque based on AGMA formula for continuous duty plus a service or load class factor.

Shafting: Various dimensional, metallurgical, and heat-treat options available.

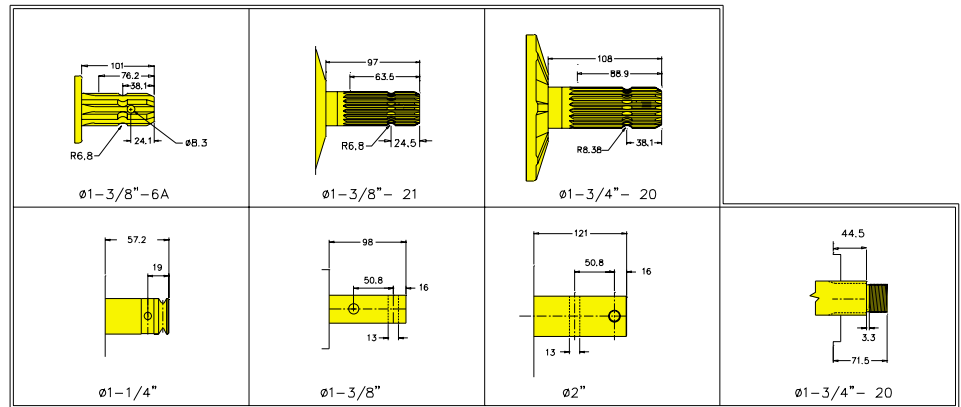
Bearings: Geardrives available with various bearing life options.

Lubrication: Drives available with various lubes depending on operating characteristics.

Shaft Options

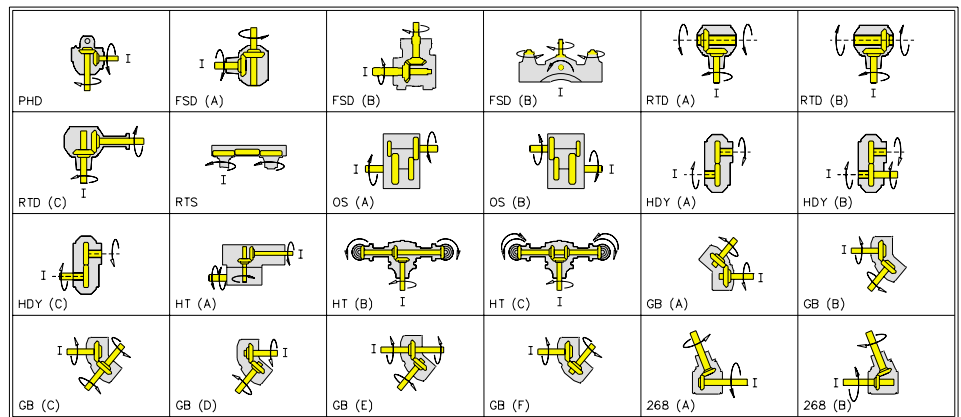
Various dimensional, metallurgical and heat treat options available.

Shaft Chart



Configuration Options

Configuration Chart



Warranty

Omni Gear's Enclosed Geardrives are warranted to be free of defects in material or workmanship and to meet Omni Gear's specifications at the time of sale. For a copy of our warranty please contact Omni Gear.

Product Information

The data presented in this catalog is for general information and preliminary layout purposes only. Omni Gear, through its policy of continuous improvement, reserves the right to change specifications without notice. For specific application and dimensional information, please contact Omni Gear.

The horsepower and torque ranges given here are generalizations. Different conditions for various applications may result in a higher or lower power requirement. For these reasons, the ratings contained herein cannot be guaranteed for any application. Contact Omni Gear for ratings on specific applications. Prototype testing should be conducted for each application before production.

7502 Mesa Road □ Houston, Texas 77028

Phone: 713-635-6331 □ Fax: 713-635-6360

E-mail: Sales@OmniGear.com □ Web: www.OmniGear.com

Copyright © 1999 ▪ Omni Gear, division of Omni USA, Inc.





Dear Valued Customer:

Standard Terms and Conditions of Sale

The following letter serves to define Omni Gear's Warranty policy effective January 1, 2006. Omni Gear warrants its Products to be free defects in materials and workmanship when installed and maintained consistent with Omni Gear's specifications. Unless otherwise specified below, each Product is warranted for a period of 12 months from the date of retail delivery or 18 months from the date of shipment from Omni Gear's facility, whichever shall first occur. All replacement or spare parts supplied by Omni Gear are warranted for a period of 3 months from the date of shipment from Omni Gear's Facility.

Should any part of an Omni Gear Product be found, under normal use and service, during the warranty period, to be defective, Omni Gear shall repair or replace, at its sole option, said part FOB Omni Gear's facility, Houston, Texas, provided the defective gear drive, in whole, is returned to Omni Gear's facility, charges prepaid, accompanied by a Return Goods Authorization Number ("RGA") and defect report detailing the claimed defect, and provided inspection of the original Product establishes the claimed defect to the satisfaction of Omni Gear. In the event a warranty claim is denied, an Omni Gear Customer Service representative shall contact the customer and advise of the cost to repair the Product not covered under warranty. If the customer requests the Product be repaired, the repaired Product shall carry a Manufacturer's Remanufactured Warranty of 6 months from the date of remanufacture.

Warranty Disclaimer and Limitations of Liability

Omni Gear makes no other warranties. No warranty of merchantability or fitness for a particular purpose is implied. Omni Gear's liability under this warranty is limited to the conditions stated herein. OMNI GEAR SHALL NOT IN ANY EVENT BE LIABLE FOR ANY CONSEQUENTIAL OR INCIDENTAL DAMAGE including, but not limited to expenses, attorney fees, loss of income or profits due to delay or defective material or workmanship and no allowance will be made for repairs, replacements, transportation or freight charges, or alterations UNLESS authorized in writing by

Omni Gear. Omni Gear's warranty is subject to change without notice. This warranty shall not apply to any Product upon which repairs or alterations have been made, improper lubrication including type and frequency, excessive shock loading, improper application or for misused, neglected or incorrectly installed Product. This warranty shall not apply in the event proper gearbox lubrication and service is not maintained.

All gearbox Product lubrication must be flushed and refilled after the first 100 hours of service, and then every 1000 hours thereafter. This warranty shall not apply to seals in the event they have been subjected to heat in excess of 200 degrees, paint, solvents or other chemicals in the assembly or painting processes. Any Omni Gear Product that remains unused for a period of 6 consecutive months during the warranty period shall not be warranted for leakage due to seal aging. The warranty for bearings shall be limited to the warranty provided by the bearing manufacturer. No Product will be eligible for warranty if rust or corrosion has started on internal surfaces.

The terms and conditions set forth herein, together with any amendments, modifications and any different terms or conditions expressly accepted by Omni Gear in writing, shall constitute the entire Agreement concerning the Product sold, and there are no oral or other representations or agreements which pertain thereto. This Agreement shall be governed in all respects by the law of the State of Texas. Legal proceedings arising out of the terms of Omni Gear's warranty must be commenced within one (1) year of the accrual of the cause of action or be forever barred.

Note: The information shown online and in all catalogs is for general purposes only. Not to be used for manufacture, design or application review. OMNI GEAR reserves the right to update or change its products; therefore the information shown is subject to change. Bearing curves are supplied for design reference purposes only. They are intended to help illustrate the importance of radial load position relative to the gearbox. For detailed analysis or application review, contact OMNI GEAR engineering.

Exceptions

Exceptions to Omni Gear's stated Warranty Policy must be in writing, and made a part of this Limited Warranty. Customer Product Group Limited Warranty Effective Date